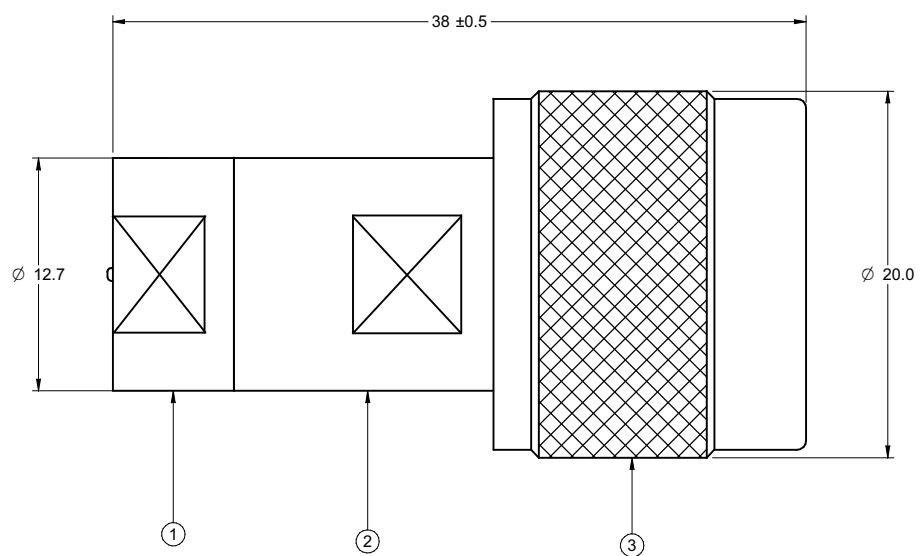


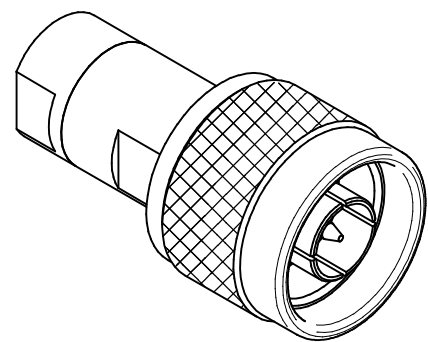
PART NUMBER	ITEM ① NUT	ITEM ② BODY	ITEM ③ NUT
26-8023	BRASS NICKEL PLATED	BRASS NICKEL PLATED	BRASS NICKEL PLATED

DRAWING NO. 26-8023	
REVISIONS	
01	OFFICIAL RELEASE
08-20-09	W L T

2009.09.1
12:56:21
+0800
Betty



受控 CONTROLLED DOCUMENT			
编号 P/N		版本 Rev	日期 Rel'd Date



NOTES:
1. TECHNICAL DETAIL: REFER TO EMERSON DOCUMENT P/N 26-0000

TOLERANCE UNLESS OTHERWISE SPECIFIED		DRAWN BY IVON.WANG	DATE 08-20-09
DECIMALS	mm	CHECKED BY IVON.WANG	DATE 08-20-09
X	± 0.5	APPROVED BY THOMAS	DATE 08-20-09
X.X	± 0.2		
X.XX	± 0.1		
ANGLES	± 0.5°	U/M	mm

THIS DRAWING TO BE INTERPRETED PER ANSI Y 14.5M - 1994

COMPANY CONFIDENTIAL

CONNECTIVITY SOLUTIONS
a bel group

TITLE
**N(M) TERMINATOR 50 OHMS
1W@2%**

SHEET 1 OF 1 | DRAWING NO. 26-8023 | SIZE C