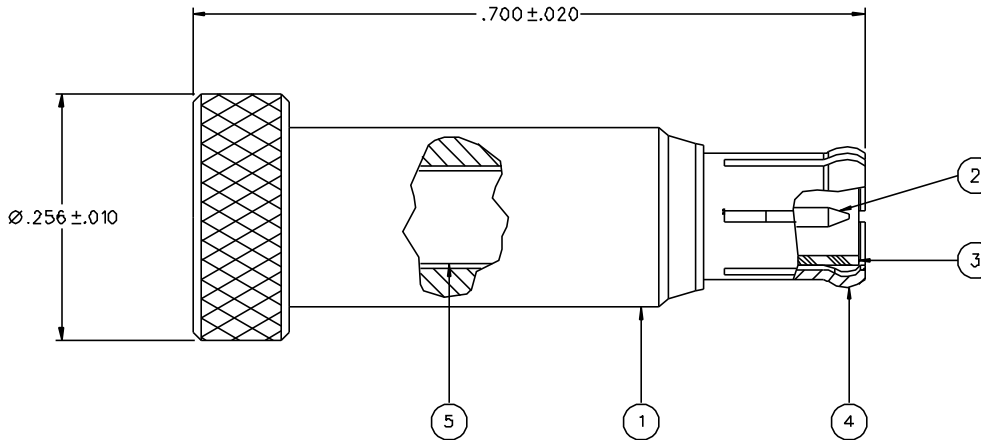


PART NUMBER	ITEM ① BODY	ITEM ② CONTACT	ITEM ③ INSULATOR	ITEM ④ MCX INTERFACE	ITEM ⑤ RESISTOR
133-3801-B21	BRASS GOLD PL .00001 MIN OVER NICKEL PL .00005 MIN OVER COPPER PL .00005 MIN	BRASS GOLD PL .00003 MIN OVER NICKEL PL .00005 MIN OVER COPPER PL .00005 MIN	TEFLON	BERYLLIUM COPPER GOLD PL .00003 MIN OVER NICKEL PL .00005 MIN OVER COPPER PL .00005 MIN	75 OHM +-1%
133-3801-B25	BRASS NICKEL PL .0001 MIN OVER COPPER PL .00005 MIN	BRASS GOLD PL .00003 MIN OVER NICKEL PL .00005 MIN OVER COPPER PL .00005 MIN	TEFLON	BERYLLIUM COPPER NICKEL PL .0001 MIN OVER COPPER PL .00005 MIN	75 OHM +-1%



NOTES:

1. SPECIFICATIONS:

RESISTANCE: 75 +-5% OHMS
 FREQUENCY RANGE: 0-3 GHz
 VSWR: NOT APPLICABLE
 MAXIMUM POWER: 0.5 WATT TO 25°C, DERATED TO 0.25 WATT AT -125°C
 CONTACT RESISTANCE:
 CENTER CONTACT - INITIAL 5 MILLIOHM MAX, AFTER ENVIRONMENTAL 8 MILLIOHM MAX
 OUTER CONDUCTOR - GOLD PLATED INITIAL 1 MILLIOHM MAX, AFTER ENVIRONMENTAL 1.5 MILLIOHM MAX
 NICKEL PLATED INITIAL 2.5 MILLIOHM MAX, AFTER ENVIRONMENTAL 3.5 MILLIOHM MAX

MECHANICAL:

ENGAGE/DISENGAGE FORCE: 5.6 LBS MAX ENGAGEMENT
 1.0/8.0 LBS MIN/MAX DISENGAGEMENT
 CONTACT RETENTION FORCE: 2.3 LBS MIN AXIAL FORCE
 DURABILITY: 500 CYCLES MIN
 ENVIRONMENTAL:
 OPERATING TEMPERATURE: -65°C TO +125°C

DRAWING NO. C - 133-3801-821/830	
0 REVISIONS	
ENGINEERING RELEASE	
1	12-30-99 R H J I T R J I 1-24-00 ECN 46730
CHANGED: 1.0/8.0 LBS MIN/MAX DISENGAGE WAS 3.0 LBS TYP 1.0 LBS MIN 2.3 LBS MIN RETENTION WAS 4 LBS	
* REVISION NUMBER FOLLOWED BY AN ALPHA * * CHARACTER INDICATES DRAWING CLARIF. * * CATION OR PART NUMBER ADDITION ONLY. *	
1a	10-12-00 R H J I T R J I ECN 47343

CUSTOMER DRAWING

THIS DRAWING TO BE INTERPRETED PER ANSY 14.5M - 1982

"µSTATION"

COMPANY CONFIDENTIAL

TOLERANCE UNLESS OTHERWISE SPECIFIED	DRAWN BY JRK	DATE 9-15-99	JOHNSON CINCH CONNECTIVITY SOLUTIONS 299 JOHNSON AVE. STE. 100 WASICA, MN 56093 1-800-247-8256	
DECIMALS .XX	CHECKED BY JRK	DATE 1-7-00	TITLE PLUG ASSEMBLY, RESISTOR LOAD, 75 OHM MCX	
MM .XXX +- .003	APPROVED BY RJB	DATE 1-10-00		
MATL	APPROVED BY	DATE	CODE NO.	DRAWING NO. C - 133-3801-821/830
FINISH	RELEASE DATE	1-24-00	SCALE 10:1	U/M INCH SHEET 2 OF 2