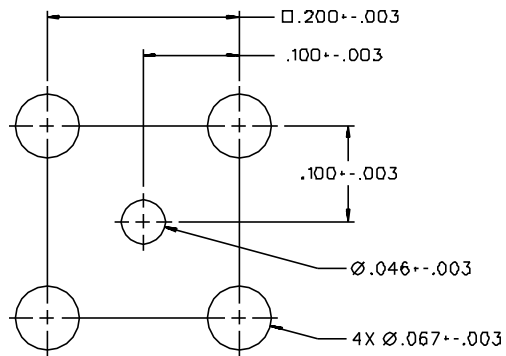
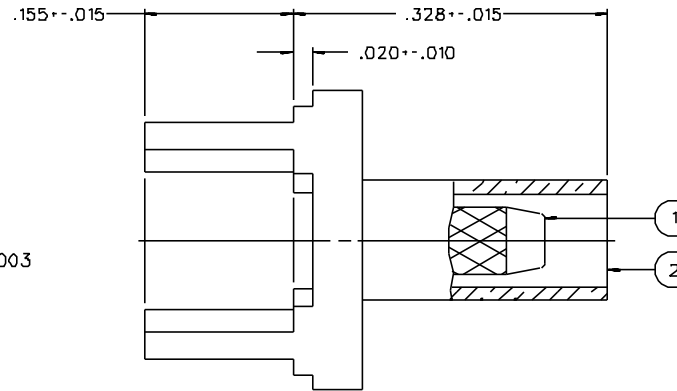
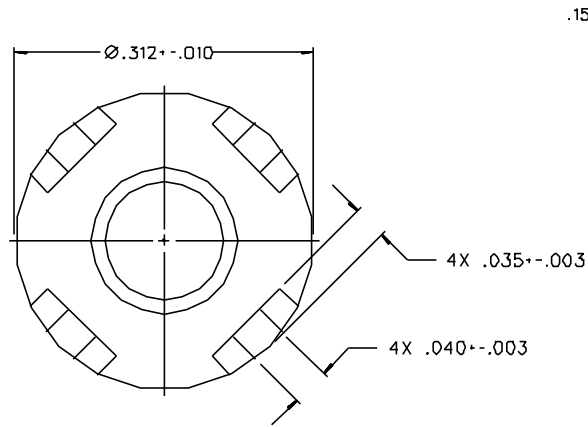
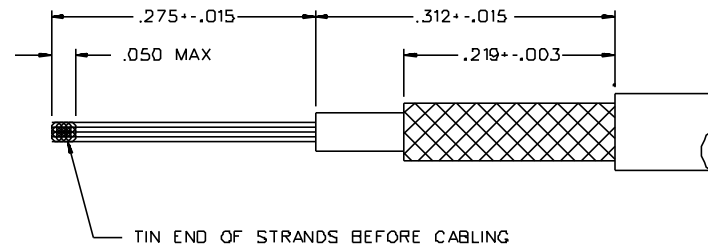


PART NUMBER	ITEM ① BODY	ITEM ② CRIMP SLEEVE
142-0002-201	BRASS GOLD PL .00001 MIN OVER NICKEL PL .00005 MIN OVER COPPER PL .00005 MIN	COPPER GOLD PL .00001 MIN OVER NICKEL PL .00005 MIN OVER COPPER PL .00005 MIN
142-0002-206	BRASS NICKEL PL .0001 MIN OVER COPPER PL .00005 MIN	COPPER NICKEL PL .0001 MIN OVER COPPER PL .00005 MIN

DRAWING NO. C - 142-0002-201/210	
0	REVISIONS
CHANGED: REVISED AND REDRAWN. WAS "C" SIZE, DATED 11-26-86.	
02	05-16-88 EJ RRF RJB ECO 23379



MOUNTING HOLE LAYOUT



CABLE STRIP DIMENSIONS

CUSTOMER DRAWING

THIS DRAWING TO BE INTERPRETED  
PER ANSI Y 14.5M - 1982

"μSTATION"

COMPANY CONFIDENTIAL

NOTES:

- SPECIFICATIONS:  
CABLE ACCEPTABILITY: RG 17B/U, RG 196/U  
CABLE HEX CRIMP SIZE: .105  
CABLE RETENTION: 10 LBS  
IMPEDANCE: 50 OHMS

TOLERANCE UNLESS OTHERWISE SPECIFIED		DRAWN BY EJ	DATE 7-31-87	 <small>Cinch Connectivity Solutions 299 Johnson Ave. Ste. 100 Waseca, MN 56093 1-800-247-8256</small>
DECIMALS .XX	mm	CHECKED BY	DATE	
.XXX		APPROVED BY RRF	DATE 5-16-88	TITLE CABLE TERMINATION STRAIGHT PC MT RG 17B
MATL		APPROVED BY RJB	DATE 5-16-88	CODE NO.
FINISH		RELEASE DATE		DRAWING NO. C - 142-0002-201/210
				SCALE 10:1
				U/M INCH
				SHEET 2 OF 2