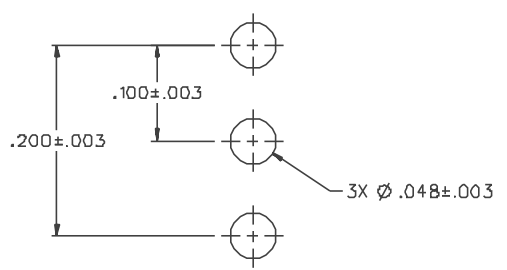
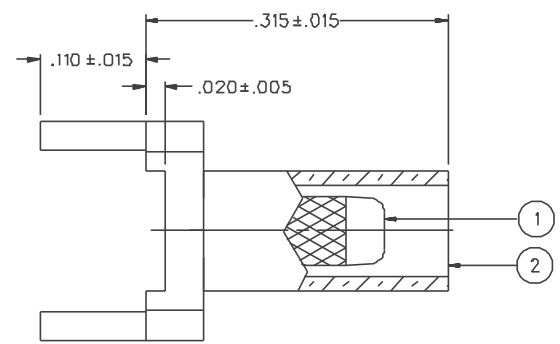
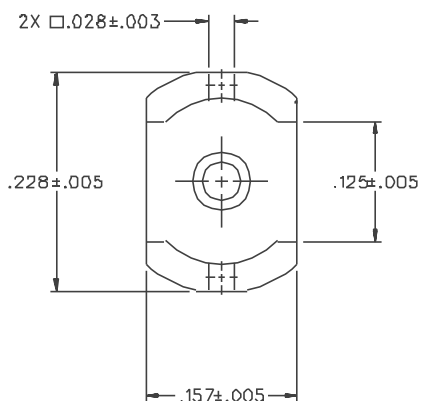
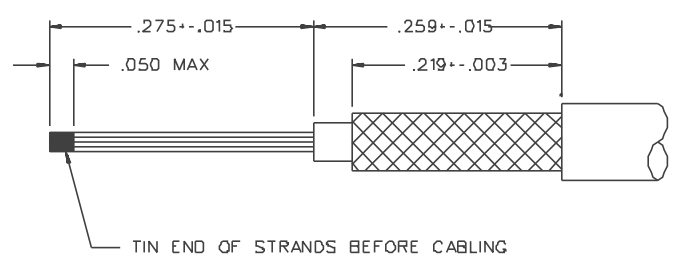


PART NUMBER	ITEM ① BODY	ITEM ② CRIMP SLEEVE
142-0002-221	BRASS GOLD PL .00001 MIN OVER NICKEL PL .00005 MIN OVER COPPER PL .00005 MIN	COPPER GOLD PL .00001 MIN OVER NICKEL PL .00005 MIN OVER COPPER PL .00005 MIN
142-0002-226	BRASS NICKEL PL .0001 MIN OVER COPPER PL .00005 MIN	COPPER NICKEL PL .0001 MIN OVER COPPER PL .00005 MIN

DRAWING NO. C - 142-0002-221/230	
0	REVISIONS
ENGINEERING RELEASE	
1	9-9-94 R H R K S ECN 42777



MOUNTING HOLE LAYOUT



CABLE STRIP DIMENSIONS


CUSTOMER DRAWING

THIS DRAWING TO BE INTERPRETED PER ANSI Y 14.5M - 1982

"μSTATION"

COMPANY CONFIDENTIAL

NOTES:
1. SPECIFICATIONS:
CABLE ACCEPTABILITY: RG 17B/U, RG 196/U
CABLE HEX CRIMP SIZE: .105
CABLE RETENTION: 10 LBS
IMPEDANCE: 50 OHMS

TOLERANCE UNLESS OTHERWISE SPECIFIED		DRAWN BY SWC	DATE 7-25-94	 Cinch Connectivity Solutions 299 Johnson Ave. Ste. 100 Waseca, MN 56093 1-800-247-8256
DECIMALS .XX	mm	CHECKED BY	DATE	
.XXX		APPROVED BY SWC	DATE 9-9-94	TITLE CABLE TERMINATION, STRAIGHT PC MOUNT, RG 17B
MATL		APPROVED BY TAK/RJB	DATE 9-19-94	CODE NO.
FINISH		RELEASE DATE		DRAWING NO. C - 142-0002-221/230
		SCALE 10:1		U/M INCH SHEET 2 OF 2