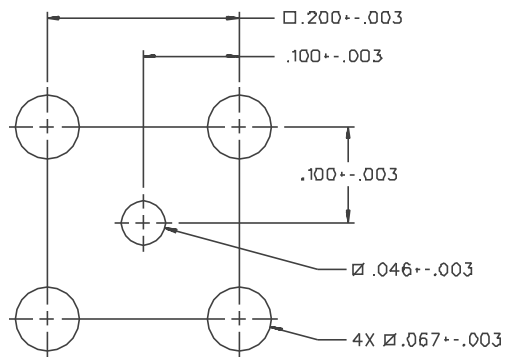
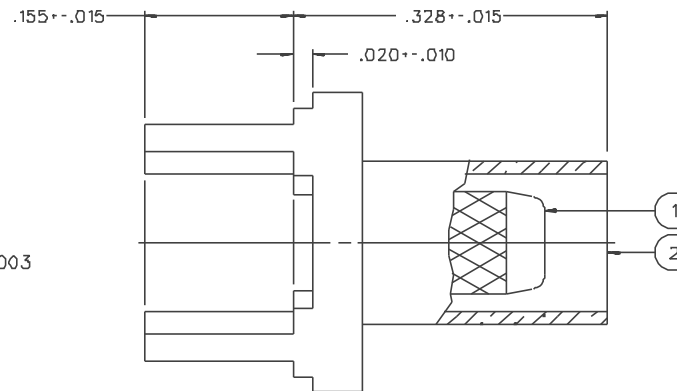
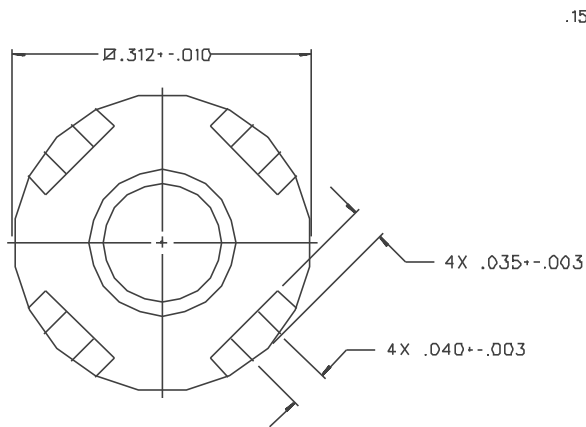
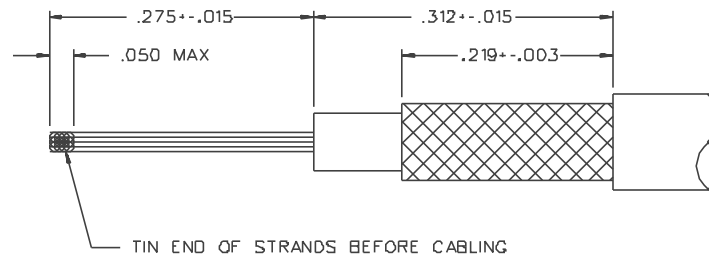


PART NUMBER	ITEM ① BODY	ITEM ② CRIMP SLEEVE
142-0004-2D1	BRASS GOLD PL .00001 MIN OVER NICKEL PL .00005 MIN OVER COPPER PL .00005 MIN	COPPER GOLD PL .00001 MIN OVER NICKEL PL .00005 MIN OVER COPPER PL .00005 MIN
142-0004-2D6	BRASS NICKEL PL .0001 MIN OVER COPPER PL .00005 MIN	COPPER NICKEL PL .0001 MIN OVER COPPER PL .00005 MIN

DRAWING NO. C - 142-0004-201/210	
0	REVISIONS
ENGINEERING RELEASE	
1	6-12-92 R H A B ECO 41081



MOUNTING HOLE LAYOUT



CABLE STRIP DIMENSIONS

CUSTOMER DRAWING


THIS DRAWING TO BE INTERPRETED  
PER ANSI Y 14.5M - 1982

"μSTATION"

COMPANY CONFIDENTIAL

NOTES:

- SPECIFICATIONS:  
CABLE ACCEPTABILITY: RG 316/U DOUBLE SHIELDED  
RG 188/U DOUBLE SHIELDED  
CABLE HCX CRIMP SIZE: .151  
CABLE RETENTION: 20 LBS  
IMPEDANCE: 50 OHMS

TOLERANCE UNLESS OTHERWISE SPECIFIED	DRAWN BY VET	DATE 5-8-92	 Cinch Connectivity Solutions 299 Johnson Ave. Ste. 100 Worcester, MA 01609 1-800-247-8256
DECIMALS .XX	CHECKED BY	DATE	
MATL	APPROVED BY VET	DATE 6-15-92	TITLE CABLE TERMINATION, STRAIGHT PC MOUNT RG 316 DOUBLE SHIELDED
FINISH	APPROVED BY TAK/RJB	DATE 6-15-92	CODE NO.
	RELEASE DATE		DRAWING NO. C - 142-0004-201/210
		SCALE 10:1	U/M INCH SHEET 2 OF 2