

MODEL NUMBER  
TRM-2055-M0-SMA-02

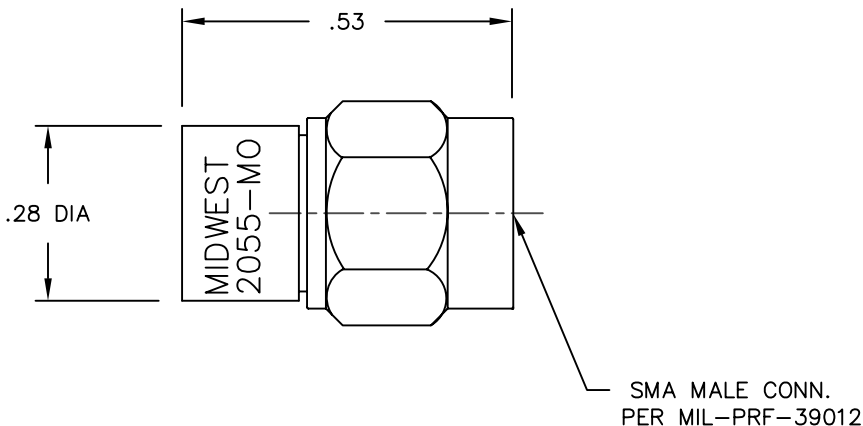
NOTES:

1.0 ELECTRICAL SPECIFICATIONS:

- 1.1 FREQUENCY RANGE: DC to 18.0 GHz
- 1.2 MAXIMUM INPUT POWER: 2 WATT AVG. @ +25°C  
DERATED LINEARLY TO 1 WATT @ +125°C
- 1.3 TEMPERATURE RANGE:  
OPERATING: -65°C to +125°C  
STORAGE: -65°C to +125°C
- 1.4 IMPEDANCE: 50 OHMS
- 1.5 VSWR: 1.05 +0.008f(GHz) MAX.
- 1.6 WEIGHT: 0.12 Oz. (3.4 GRAMS)

2.0 MARKING:

MARK UNIT AS SHOWN  
(REF.: INK-02639-27-01)



DWG NO. WAS: 02361-01-00

REV.	DESCRIPTION	DATE
-	RELEASED	11/21/89
A	ECR 6545	6/29/89
B	ECR 6942	11/16/89
BT	REDRAW ON CAD	9/3/91
C	ECN 11825	5/18/92
CI	ADDED TITLEBLOCK	10/27/05

<p>NOTICE: The information contained in this drawing is proprietary and must not be used without the permission of Emerson Network Power.</p> <p>UNLESS OTHERWISE NOTED DIMENSIONS ARE IN INCHES AND TOLERANCES ARE:          3 PLACE DECIMALS ±.005          2 PLACE DECIMALS ±.02          FRACTIONS ±1/64          PARALLELITY: T.I.R. _____          FLATNESS: T.I.R. _____          CONCENTRICITY: T.I.R. _____          ANGLES AND PERPENDICULARITY: ±1'</p>	CAGE CODE <b>34078</b>	<b>MIDWEST MICROWAVE</b>		
	<p><b>EMERSON</b> Network Power Connectivity Solutions</p>		TITLE  TERMINATION OUTLINE DRAWING	
	DRAWN/DATE A.BEATTY 9/4/91	ENG./DATE G.KOZAK 9/5/91	DRAWING NUMBER TRM-2055-M0-SMA-02-01	REV. C1
	CHECKED/DATE C.RICKARD 9/5/91	APPROVED/DATE	SCALE: 5=1	SHEET 1 of 1