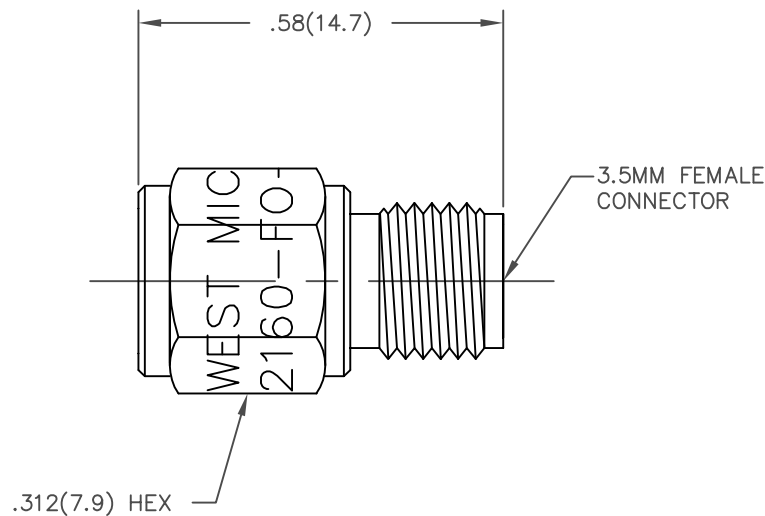


MODEL NUMBER  
TRM-2160-FO-35M-02

NOTES:

- 1.0 ELECTRICAL SPECIFICATIONS:
  - 1.1 FREQUENCY RANGE: DC to 26.5 GHz
  - 1.2 VSWR:
    - DC to 18.0 GHz: 1.12:1
    - 18.0 to 26.5 GHz: 1.18:1
  - 1.3 MAXIMUM INPUT POWER: 2 WATTS AVG. @ +25°C  
DERATED LINEARLY TO 1 WATT @ +125°C
  - 1.4 OPERATING TEMP. RANGE:  
-65°C to +125°C
- 2.0 MARKING:  
MARK UNIT AS SHOWN  
(REF.: INK-02639-27-11)
- 3.0 DIMENSIONS IN PARENTHESIS ARE IN MILLIMETERS.



REV.	DESCRIPTION	DATE
-	RELEASED	2/26/86
A	ECR 4963	11/6/86
B	ECR 6545	8/1/89
C	ECR 6933	1/23/90
C1	UPDATE DWG #	5/17/91
D	ECN 11825	5/18/92
E	ECN 11948	8/6/92
F	ECN 12132	10/16/92
F1	ADDED TITLEBLOCK	11/9/05

NOTICE: The information contained in this drawing is proprietary and must not be used without the permission of Emerson Network Power.

UNLESS OTHERWISE NOTED DIMENSIONS ARE IN INCHES AND TOLERANCES ARE:  
 3 PLACE DECIMALS ±.005  
 2 PLACE DECIMALS ±.02  
 FRACTIONS ±1/64  
 PARALLELITY: T.I.R. \_\_\_\_\_  
 FLATNESS: T.I.R. \_\_\_\_\_  
 CONCENTRICITY: T.I.R. \_\_\_\_\_  
 ANGLES AND PERPENDICULARITY: ±1'

CAGE CODE <b>34078</b>		<b>MIDWEST MICROWAVE</b>	
		TITLE TERMINATION - 3.5MM JACK OUTLINE DRAWING	
		DRAWN/DATE A. BEATTY 5/18/92	ENG./DATE G. KOZAK 5/19/92
DRAWING NUMBER <b>TRM-2160-FO-35M-02-01</b>		REV. F1	
SCALE: 5:1		SHEET 1 of 1	