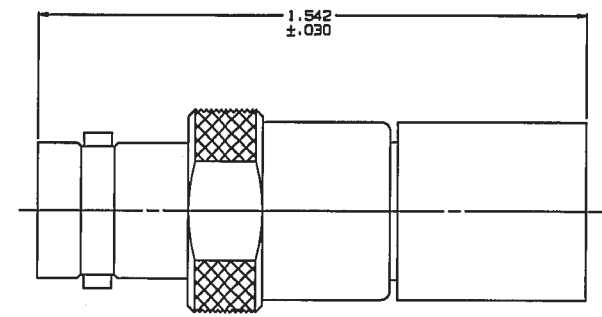


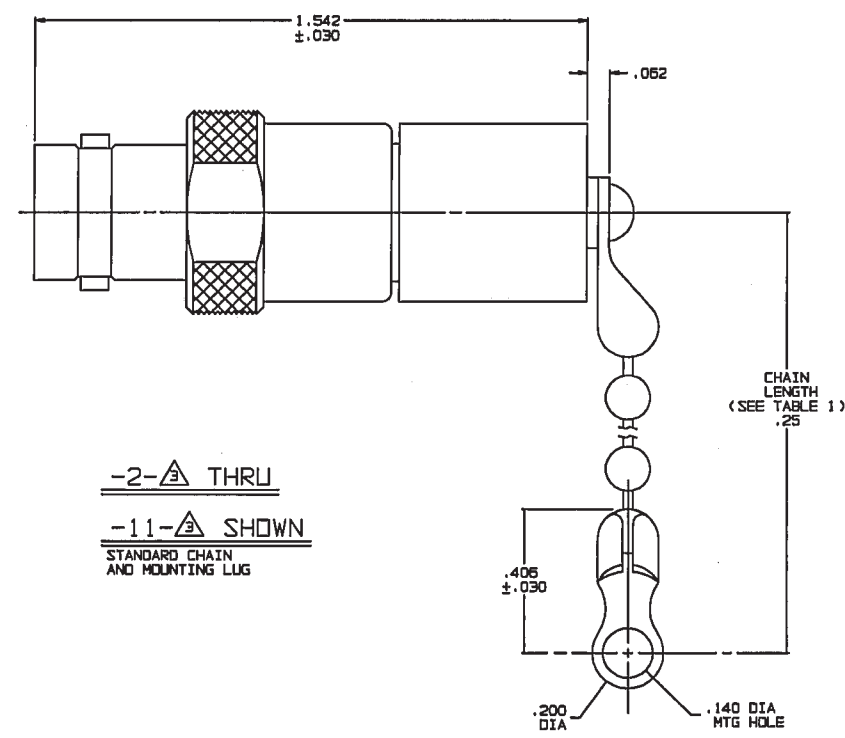
DASH NO	DESCRIPTION
-1	TERM (NO CHAIN)
-2	TERM WITH 2.50 BRASS CHAIN
-3	TERM WITH 2.50 NYLON CHAIN
-4	TERM WITH 3.00 BRASS CHAIN
-5	TERM WITH 3.00 NYLON CHAIN
-6	TERM WITH 6.00 BRASS CHAIN
-7	TERM WITH 6.00 NYLON CHIAN
-8	TERM WITH 4.00 BRASS CHIAN
-9	TERM WITH 4.00 NYLON CHIAN
-10	TERM WITH 10.00 BRASS CHIAN
-11	TERM WITH 10.00 NYLON CHIAN
-12	TERM WITH 2.50 JACKETED STAINLESS STEEL ROPE
-13	TERM WITH 3.00 JACKETED STAINLESS STEEL ROPE
-14	TERM WITH 6.00 JACKETED STAINLESS STEEL ROPE
-15	TERM WITH 4.00 JACKETED STAINLESS STEEL ROPE

TABLE 2			INCH	MM	INCH	MM	INCH	MM	INCH	MM	
DASH NO	"A" DIA	"B" DIA	"C" DIM								
	.005	0.13	.317	8.05	.570	14.48	.941	22.53			
-01	.630	.750	1.066	.010	0.25	.380	9.65	.610	15.49	1.003	25.48
-03	.505	.625	.941	.030	0.76	.406	10.31	.625	15.88	1.066	27.08
-04	.439	.562	.878	.032	0.81	.437	11.10	.630	16.00	1.542	39.17
-05	.380	.500	.816	.062	1.57	.439	11.15	.687	17.45	2.50	63.50
-06	.317	.437	.753	.140	3.56	.500	12.70	.722	18.34	3.00	76.20
-07	.281	.406	.722	.200	5.08	.505	12.83	.750	19.05	4.00	101.60
-08	.610	.750	1.066	.25	6.35	.56	14.22	.753	19.13	6.00	152.40
-09	.567	.687	1.003	.281	7.14	.562	14.27	.816	20.73	10.00	254.00
				.290	7.37	.567	14.40	.878	22.30		

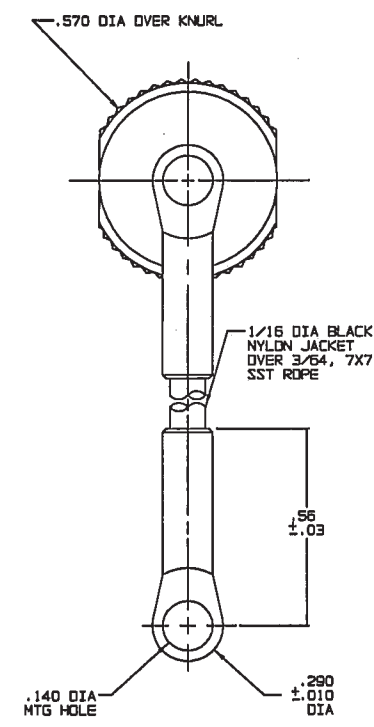
RED INDICATES ORIGINAL



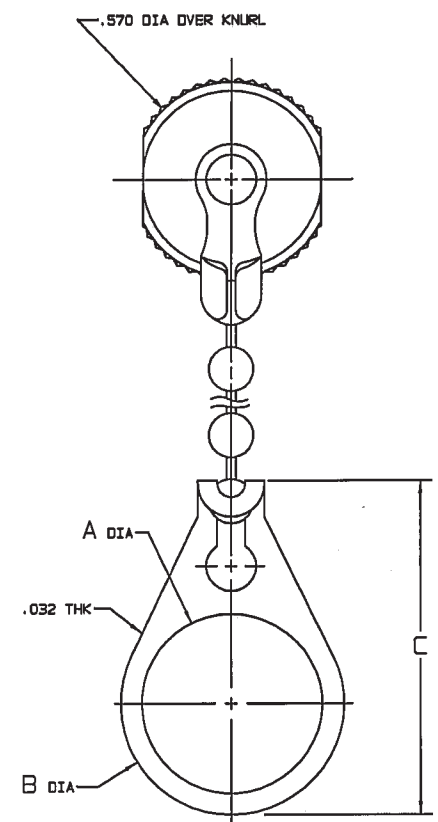
-1- Δ SHOWN
NO CHAIN/ROPE OR MOUNTING LUG



-2- Δ THRU
-11- Δ SHOWN
STANDARD CHAIN AND MOUNTING LUG

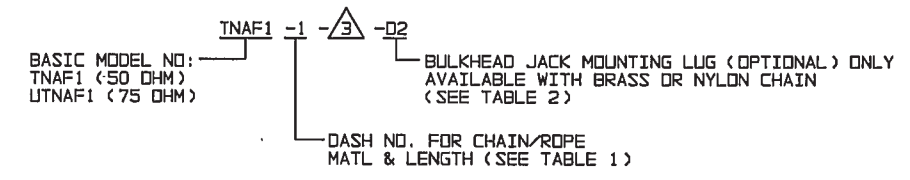


-12- Δ THRU
-15- Δ SHOWN
STAINLESS STEEL ROPE AND MOUNTING LUG



-2- Δ -02 THRU
-11- Δ -09 SHOWN
STANDARD CHAIN AND BULKHEAD RECEPTACLE MOUNTING LUG

5. EXAMPLE OF COMPLETE MODEL NO:

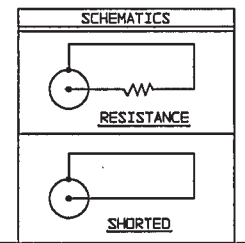


4. 50 & 75 OHM TERMINATED COAXIAL BNC RECEPTACLE

Δ RESISTANCE VALUE IN OHMS (1/2W, 1%)
S = CENTER CONTACT SHORTED TO CONNECTOR BODY (NO RESISTOR)
0 = NO RESISTOR, CONTACT NOT SHORTED, AND CONNECTOR IS SUPPLIED LOOSELY ASSEMBLED (CUSTOMER TO COMPLETE THE ASSEMBLY)

2. FINISH: TFS-1A (NICKEL)

1. ALL DIM ARE IN INCHES



QTY	DESCRIPTION	PART NUMBER	ITEM
TOL UNLESS SPECIFIED .XX ±.005 .XXX ±.005 XXXK ±.005 ANGLE	TROMPETER RF connectivity	U/TNAF1	
DWN R/L 12/16/99	MATERIAL CODE IDENT	DRAWING NO.	REV
CHK 12/17/99	14949	105-1040	C
ENGR 12/17/99	SCALE 4/1	DATE 12-3-90	SHEET 1C
APPR 12/17/99			