

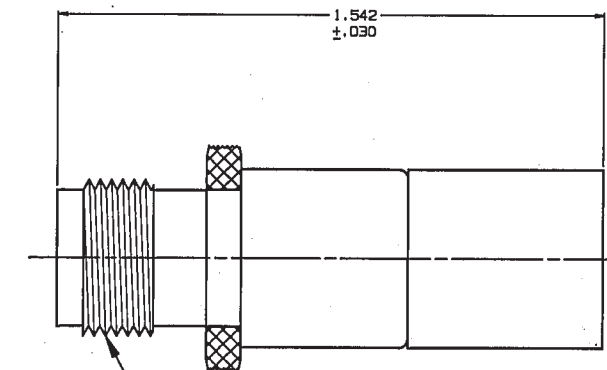
RED INDICATES ORIGINAL

DWG SIZE C DATA CONTAINED IN THIS DOCUMENT IS PROPRIETARY TO TROMPETER ELECTRONICS INC. AND SHALL NOT BE DISCLOSED, COPIED OR USED FOR PROCUREMENT OR MANUFACTURE WITHOUT EXPRESS WRITTEN PERMISSION.

| REV | | | ECCO | | DESCRIPTION | DWN | APPROVED | DATE |
|-----|-------|--|------|--|--|-----|----------|---------|
| B | 10738 | | | | DIM .56 ±.03 WAS .555 ±.010; DIM .290 ±.010 WAS .290 ±.005; SEE ECCO | DKC | BMI/92 | 6/28/94 |

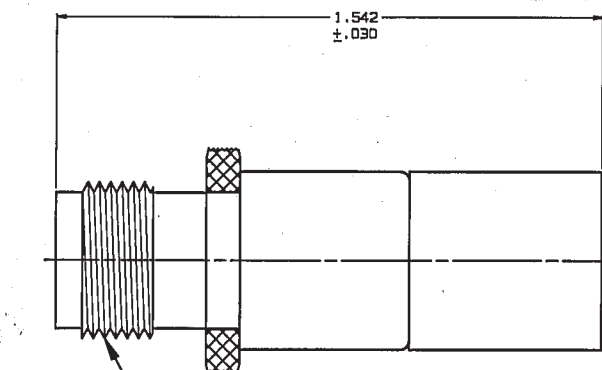
| DASH NO | MODEL NUMBER | DESCRIPTION | DASH NO | MODEL NUMBER | DESCRIPTION |
|---------|--------------|----------------------|---------|--------------|-----------------------|
| -1 | TNHF1-1- | TERM (NO CHAIN) | -8 | TNHF1-8- | TERM 4.0 BRASS CHAIN |
| -2 | TNHF1-2- | TERM 2.5 BRASS CHAIN | -9 | TNHF1-9- | TERM 4.0 NYLON CHAIN |
| -3 | TNHF1-3- | TERM 2.5 NYLON CHAIN | -10 | TNHF1-10- | TERM 10.0 BRASS CHAIN |
| -4 | TNHF1-4- | TERM 3.0 BRASS CHAIN | -11 | TNHF1-11- | TERM 10.0 NYLON CHAIN |
| -5 | TNHF1-5- | TERM 3.0 NYLON CHAIN | -12 | TNHF1-12- | TERM 2.5 SST ROPE |
| -6 | TNHF1-6- | TERM 6.0 BRASS CHAIN | -13 | TNHF1-13- | TERM 3.0 SST ROPE |
| -7 | TNHF1-7- | TERM 6.0 NYLON CHAIN | -14 | TNHF1-14- | TERM 6.0 SST ROPE |

| INCH | | MM | | INCH | | MM | |
|------|-------|-------|--------|------|--|----|--|
| .005 | 0.13 | .56 | 14.22 | | | | |
| .010 | 0.25 | .645 | 16.38 | | | | |
| .030 | 0.76 | 1.542 | 39.17 | | | | |
| .082 | 1.58 | 2.5 | 63.50 | | | | |
| .140 | 3.55 | 3.0 | 76.20 | | | | |
| .200 | 5.08 | 4.0 | 101.60 | | | | |
| .25 | 6.35 | 6.0 | 152.40 | | | | |
| .408 | 10.31 | 10.0 | 254.00 | | | | |



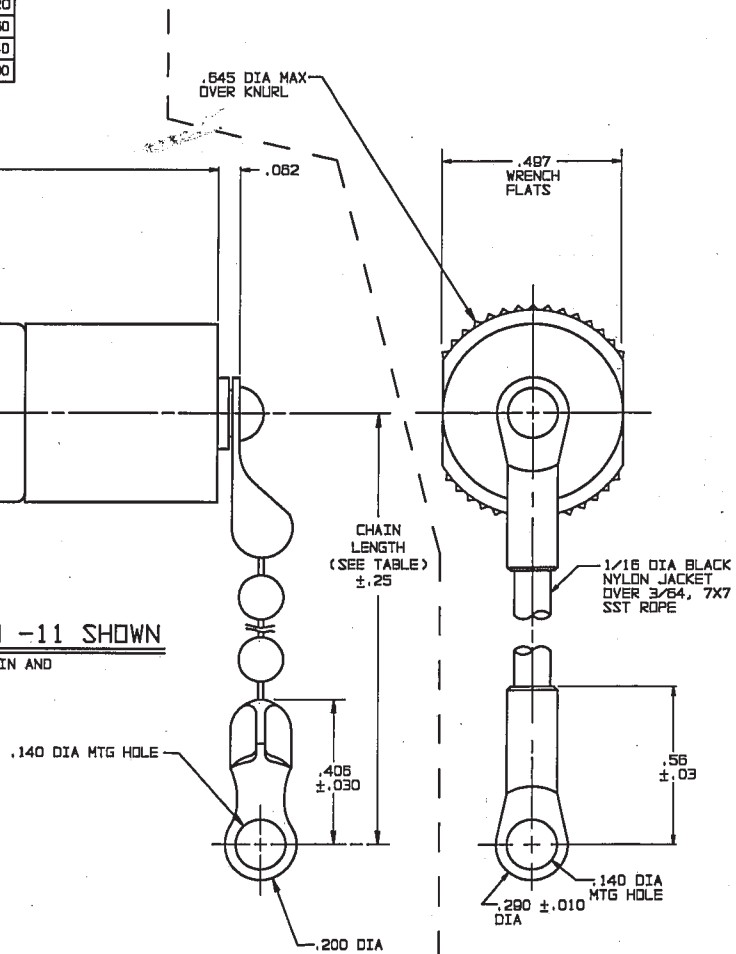
.4375-28UNEF-2A

-1 SHOWN
NO CHAIN/ROPE OR MOUNTING LUG



.4375-28UNEF-2A

-2 THRU -11 SHOWN
STANDARD CHAIN AND MOUNTING LUG



.645 DIA MAX OVER KNURL

CHAIN LENGTH (SEE TABLE) ±.25

.487 WRENCH FLATS

1/16 DIA BLACK NYLON JACKET OVER 3/64, 7X7 SST ROPE

.406 ±.030

.56 ±.03

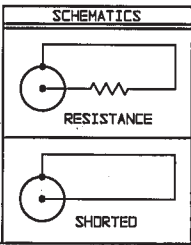
.140 DIA MTG HOLE

.290 ±.010 DIA

.200 DIA

-12-THRU
-14-SHOWN

- EXAMPLE OF COMPLETE MODEL NO: TNHF1-2-
BASIC MODEL NO: TNHF1 (50 OHM) or UTNHF1 (75 OHM)
CHAIN/ROPE MATL AND LENGTH (SEE TABLE)
- TERMINATED FEMALE COAXIAL TNC TYPE RECEPTACLE WITH OR WITHOUT CHAIN OR JACKETED STAINLESS STEEL ROPE AND MOUNTING LUG OPTION
- RESISTANCE VALUE IN OHMS (1/2W, 1%) S = CONTACT SHORTED TO CASE (NO RESISTOR)
- FINISH: TFS-1A (NICKEL)
- ALL DIM ARE IN INCHES



| QTY | DESCRIPTION | PART NUMBER | ITEM |
|----------------------|-------------|---------------|--------------|
| TOL UNLESS SPECIFIED | | | |
| .XX ±.005 | | | |
| .XXX ±.005 | | | |
| .XXXX | | | |
| ANGLES | | | |
| DWN DKC 8-14-94 | MATERIAL | CODE IDENT | DRAWING NO. |
| CHK BMI 6-28-99 | | 14949 | 105-0999 |
| ENGR | | | REV B |
| APPR BMI 6/22/94 | SCALE 2:1 | DATE 10-16-79 | SHEET 1 OF 2 |